



Volvo ECR145EL Excavator

SAFETY & SECURITY

All the equipment is installed with the following additional equipment to enhance safe and secure use.

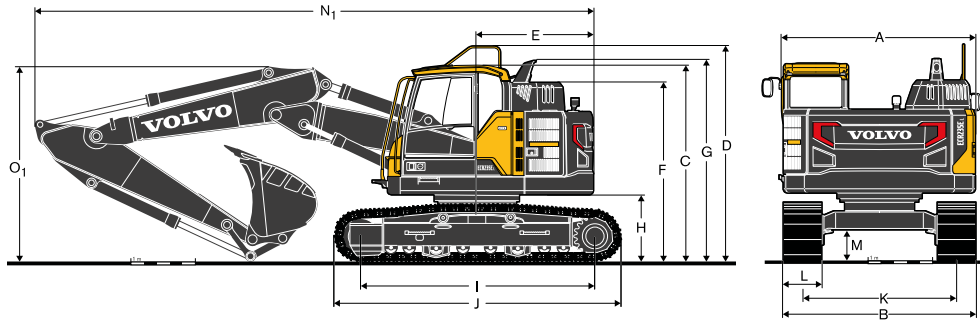
1. High Resolution reverse camera
2. Green Light Seat Belt Warning
3. Work at Height Fall protection rails
4. Rated Load Capacity Indicator -Prolec PME200
5. Working Envelope Monitoring
6. Anti Vandal Guards
7. Unique Operator Keys
8. Anti Theft Satellite Tracking
9. On Board Diagnostic Data logging
10. Wireless Product Link Machine communication.

VOLVO ECR145Ei Excavator

Weights
Maximum 14 920kg



1. Dimensions All dimensions are approximate.



Boom	m	4.6	H Counterweight clearance *	mm	900
Arm	m	3.0	I Tumbler length	mm	3 040
A Overall width of upper structure	mm	2 490	J Track length	mm	3 750
B Overall width	mm	2 690	K Track gauge	mm	1 990
C Overall height of cab	mm	2 895	L Shoe width	mm	700
D Overall height of guardrail (unfolded)	mm	3 075	M Min. ground clearance *	mm	430
D' Overall height of guardrail (folded)	mm	-	N Overall length	mm	7 345
E Tail swing radius	mm	1 494	N1 Overall length	mm	7 370
F Overall height of engine hood	mm	2 545	O Overall height of boom	mm	3 250
G Overall height of diffuser	mm	2 775	O1 Overall height of boom	mm	3 470

* Without shoe grouser.

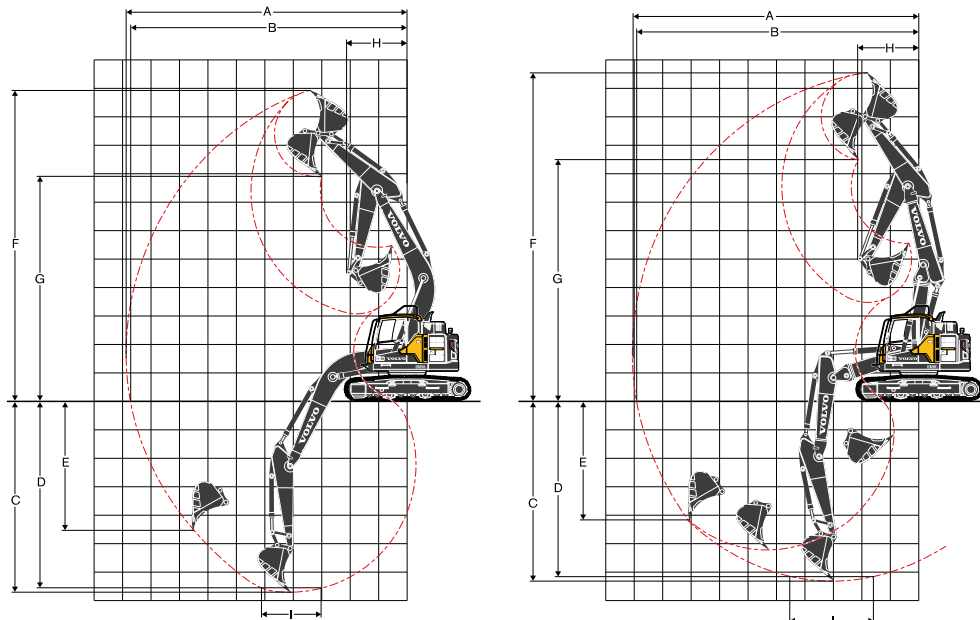
2. Lifting Capacities

Lifting capacity at the arm end without bucket.
For lifting capacity including bucket, simply subtract actual weight of the direct fit bucket or the bucket with quick coupler from the following values.

	Lifting hook related to ground level	1.5 m		3.0 m		4.5 m		6.0 m		7.5 m		Max. reach		m
		Along UC	Across UC	Along UC	Across UC	Along UC	Across UC	Along UC	Across UC	Along UC	Across UC	Along UC	Across UC	
Boom : 4.6m	7.5m kg	-	-	-	-	*3 460	*3 460	-	-	-	-	*3 360	*3 360	4.6
Arm : 3.0m	6.0m kg	-	-	-	-	*3 220	*3 220	*3 030	2 410	-	-	*2 830	2 350	6.1
Shoe : 500mm	4.5m kg	-	-	-	-	*3 510	*3 510	*3 350	2 410	-	-	*2 670	1 850	7.0
CWT : 3 200kg	3.0m kg	-	-	*5 740	*5 740	*4 300	3 630	*3 650	2 320	-	-	2 650	1 630	7.4
	1.5m kg	-	-	-	-	*5 260	3 370	3 610	2 210	2 570	1 560	2 530	1 540	7.6
	0.0m kg	-	-	*6 540	5 770	5 430	3 170	3 510	2 110	-	-	2 580	1 560	7.4
	-1.5m kg	*4 120	*4 120	*8 920	5 670	5 330	3 080	3 450	2 060	-	-	2 830	1 710	6.9
	-3.0m kg	*7 550	*7 550	*7 500	5 740	*5 090	3 090	-	-	-	-	*3 340	2 100	6.0
	-4.5m kg	-	-	*4 580	*4 580	-	-	-	-	-	-	*2 830	*2 830	4.4

Notes: 1. Machine in "Fine Mode-F" (Power Boost) for lifting capacities. 2. The above loads are in compliance with SAE J1097 and ISO 10567 Hydraulic Excavator Lifting Capacity Standards. 3. Rated loads do not exceed 87% of hydraulic lifting capacity or 75% of tipping load. 4. Rated loads marked with an asterisk (*) are limited by hydraulic capacity rather than tipping load.

3. Working Ranges & Digging Forces



Boom	m	4.6
Arm	m	3.0
A Max. digging reach	mm	8 850
B Max. digging reach on ground	mm	8 000
C Max. digging depth	mm	6 030
D Max. digging depth (l = 2.44m level)	mm	850
E Max. vertical wall digging depth	mm	450
F Max. cutting height	mm	900
G Max. dumping height	mm	310
H Min. front swing radius	mm	2 505

DIGGING FORCES WITH DIRECT FIT BUCKET

Bucket radius	mm	1 274
Breakout force - bucket	Normal SAE J1179	kN 80.5
	Power boost SAE J1179	kN 85.4
	Normal ISO 6015	kN 91.
	Power boost ISO 6015	kN 96.6
Tearout force - dipper arm	Normal SAE J1179	kN 55.3
	Power boost SAE J1179	kN 58.6
	Normal ISO 6015	kN 56.3
	Power boost ISO 6015	kN 59.8
Rotation angle, bucket	°	175

4. Sound Performance

Sound level in cab according to ISO 6396		
LpA (standard)	dB(A)	71
LpA (tropical)	dB(A)	72
External sound level to ISO 6395, EU Noise Directive (2000/14/EC)		
LwA (standard)	dB(A)	97
LwA (tropical)	dB(A)	98

5. Service Refill Capacities

Fuel tank	l	200
Hydraulic system, total	l	200
Hydraulic tank	l	59
AdBlue tank	l	15.5
Engine oil	l	15.5
Engine coolant	l	26
Swing reduction unit	l	3.9
Travel reduction unit	l	2 x 2.2

6. Engine

Engine	Volvo	D4J
Max power at	r/s / r/min	33 / 2 000
Net, ISO 9249/SAE J1349	kW / hp	89 / 121
Gross, ISO 14396/SAE J1995	kW / hp	90 / 122
Max torque at	Nm / r/min	566 / 1 500
No. of cylinders	l	4
Displacement	l	4.0
Bore	mm	101
Stroke	mm	126

To discuss your production or rental requirements
in more detail call our rental team on 0161 761 5109

All data gathered from the manufacturer & accurate at time of publication. This data sheet is provided as a guide only. Please check against manufacturer data on all critical requirements.

1. Dimensions
2. Lifting Capacities
3. Working Ranges & Digging Forces
4. Sound Performance
5. Service Refill Capacities
6. Engine