



## Liebherr A914 Compact Wheeled Excavator

### SAFETY & SECURITY

All the equipment is installed with the following additional equipment to enhance safe and secure use.

1. High Resolution reverse camera
2. Green Light Seat Belt Warning
3. Rated Load Capacity Indicator -Prolec PME200
4. Working Envelope Monitoring
5. Anti Vandal Guards
6. Unique Operator Keys
7. Anti Theft Satellite Tracking
8. On Board Diagnostic Data logging
9. Wireless Product Link Machine communication.

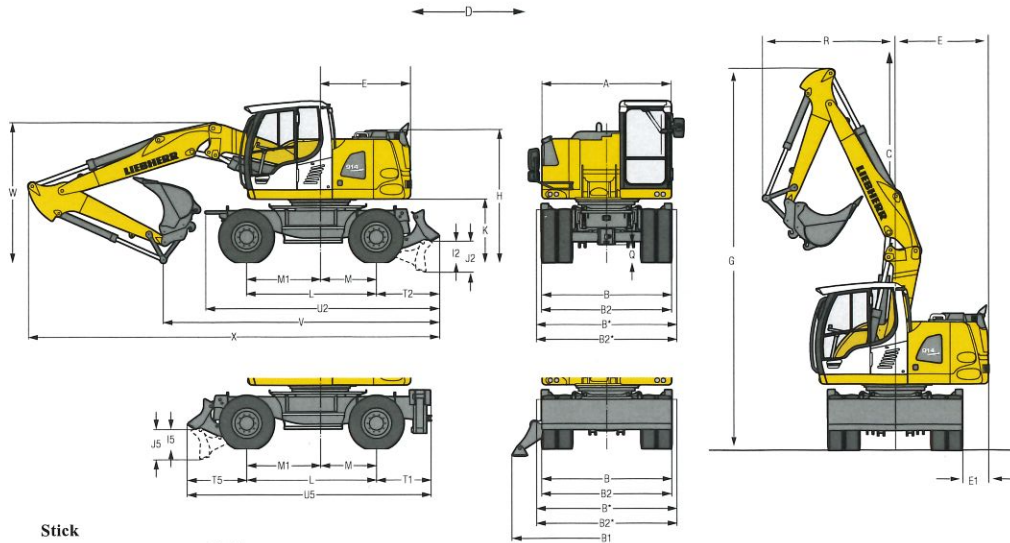


# Liebherr A914 Wheeled Excavator

Weights  
Maximum 15,400kg



## 1. Dimensions All dimensions are approximate.



Stick

Blade

Offset two-piece boom 4.90 m

mm		m		mm		m		mm		m			
A	2,525	E	1,750	M	1,100	V	2.05	6,250	6,100	X	2.05	3,100	3,100*
B	2,550	H	2,590	M1	1,440		2.25	5,750	5,600		2.25	8,200	8,050
B*	2,750	I2	425	Q	350		2.45	5,400	5,700*		2.25	8,200	8,050
B1	3,695	I5	380	T1	1,047	W	2.05	3,200	3,200		2.45	8,250	8,500*
B2	2,550	J2	605	T2	1,230		2.25	3,150	3,150				
B2*	2,750	J5	585	T5	1,153								
C	3,165	K	1,230	U2	4,575								
D	1,750	L	2,540	U5	4,740								

Dimensions are with attachment over steering axle

\* Attachment over digging axle for shorter transport dimensions  
1) without backhoe bucket

## 2. Lift Capacities

Stick 2.45 m	m	Undercarriage	3.0 m		4.5 m		6.0 m		7.5 m		m		
			Stabilizers raised	Stabilizer blade down	Stabilizers raised	Stabilizer blade down	Stabilizers raised	Stabilizer blade down	Stabilizers raised	Stabilizer blade down			
7.5		Stabilizers raised			2.5*	2.5*					2.0*	2.0*	4.7
		Stabilizer blade down			2.5*	2.5*					2.0*	2.0*	
		Blade + 2 pt. outr. down			2.5*	2.5*					2.0*	2.0*	
6.0		Stabilizers raised			3.6*	3.6*	2.2*	2.2*			1.8*	1.8*	6.2
		Stabilizer blade down			3.6*	3.6*	2.2*	2.2*			1.8*	1.8*	
		Blade + 2 pt. outr. down			3.6*	3.6*	2.2*	2.2*			1.8*	1.8*	
4.5		Stabilizers raised			3.6	4.4*	2.3	3.6*			1.7	1.7*	7.0
		Stabilizer blade down			4.0	4.4*	2.5	3.6*			1.7*	1.7*	
		Blade + 2 pt. outr. down			4.4*	4.4*	3.6*	3.6*			1.7*	1.7*	
3.0		Stabilizers raised	6.3	8.0*	3.5	5.4*	2.3	3.6			1.5	1.7*	7.4
		Stabilizer blade down	7.0	8.0*	3.9	5.4*	2.5	4.3*			1.7	1.7*	
		Blade + 2 pt. outr. down	8.0*	8.0*	5.4*	5.4*	3.9	4.3*			1.8*	1.8*	
1.5		Stabilizers raised	6.1	9.4*	3.5	5.4	2.2	3.6	1.4	1.9*	1.4	1.9*	7.5
		Stabilizer blade down	6.8	9.4*	3.8	6.1*	2.4	4.5*	1.6	1.9*	1.6	1.9*	
		Blade + 2 pt. outr. down	9.4*	9.4*	5.7	6.1*	3.8	4.5*	1.9*	1.9*	1.9*	1.9*	
0		Stabilizers raised	6.1	9.8*	3.3	5.5	2.0	3.4			1.4	2.2*	7.3
		Stabilizer blade down	6.8	9.8*	3.7	6.3*	2.3	4.6*			1.6	2.2*	
		Blade + 2 pt. outr. down	9.8*	9.8*	5.8	6.3*	3.7	4.6*			2.2*	2.2*	
-1.5		Stabilizers raised	5.7	10.0*	3.1	5.4	1.9	3.3			1.5	2.7	6.7
		Stabilizer blade down	6.5	10.0*	3.4	6.4*	2.1	4.5*			1.8	2.8*	
		Blade + 2 pt. outr. down	10.0*	10.0*	5.7	6.4*	3.6	4.5*			2.8*	2.8*	
-3.0		Stabilizers raised	5.4	9.9*	2.8	5.1					2.0	3.0*	5.7
		Stabilizer blade down	6.2	9.9*	3.2	5.7*					2.2	3.0*	
		Blade + 2 pt. outr. down	9.9*	9.9*	5.5	5.7*					3.0*	3.0*	

Height Can be slewed through 360° In longitudinal position of undercarriage Max. reach \* Limited by hydr. capacity

The lift capacities on the load lift hook of the Liebherr quick coupler SW33 without working tool are stated in metric tons (t) and are valid on a firm, level supporting surface with blocked oscillating axle. These capacities can be slewed through 360° with the undercarriage in the transverse position. Capacities in the longitudinal position of the undercarriage (+/- 15°) are specified over the steering axle with the stabilizers raised and over the rigid axle with the stabilizers down. The values apply when the adjusting cylinder is in the optimal position. Indicated loads based on the ISO 10567 standard and do not exceed 75% of tipping or 87% of hydraulic capacity, or are limited by the permissible load of the load lift hook on the quick coupler (max. 5 t). Without the quick coupler, lift capacities will increase by up to 110 kg.

In accordance with the harmonised European Standard EN 474-5, hydraulic excavators used for lifting operations must be equipped with pipe fracture safety valves, an overload warning device, a load lift hook and a lift capacity chart.

## 3. Sound Noise Emissions

ISO 6396

Operator Sound 71 dB(A)

2000/14/EC

Spectator Sound 100 dB(A)

## 4. Travel Speed

0 – 3.5 km/h stepless (creeper speed off-road)

0 – 7.0 km/h stepless (off-road)

0 – 13.0 km/h stepless (creeper speed on-road)

0 – 20.0 km/h stepless (road travel)

0 – max. 25.0 or 30.0 km/h Speeder (Option)

## 5. Digging Forces

without quick coupler 3

Max. digging force (ISO 6015) 64.5 kN

6.6 t

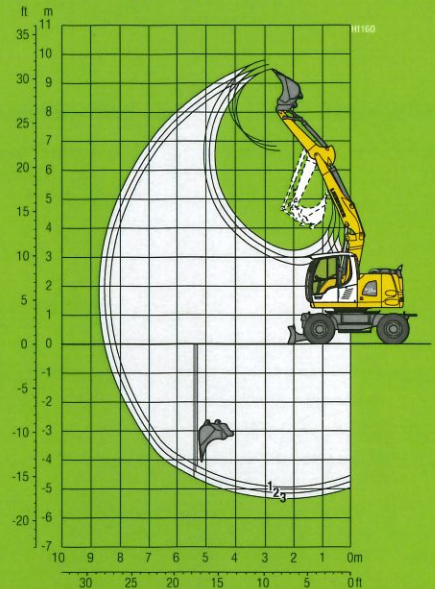
Max. breakout force (ISO 6015) 85.1 kN

8.7 t

Max. breakout force with ripper bucket 12.6 t

## 6. Digging Envelope

All dimensions are approximate.



Stick length 2.45 m

Max. digging depth 5.35 m

Max. reach at ground level 8.55 m

Max. dumping height 7.00 m

Max. teeth height 9.80 m

Min. attachment radius 2.20 m

## 7. Technical Data

Rating per ISO 9249 105 kW (143 HP) at 1,800 RPM

Model Liebherr D924

Type 4 cylinder in-line

Bore/Stroke 104/132 mm

Displacement 4.5 l

Fuel tank 250 l

Urea tank 46 l

Hydraulic tank 130 l

Hydraulic system max. 300 l

1. Dimensions
2. Lift Capacities
3. Sound Noise Emissions
4. Travel Speeds
5. Digging Forces
6. Digging Envelope
7. Technical Data

??? Liebherr 914A

To discuss your production or rental requirements  
in more detail call our rental team on 0161 761 5109

All data gathered from the manufacturer & accurate at time of publication. This data sheet is provided as a guide only. Please check against manufacturer data on all critical requirements.