



CAT CS-563E Vibratory Soil Compactor

SAFETY & SECURITY

All the equipment is installed with the following additional equipment to enhance safe and secure use.

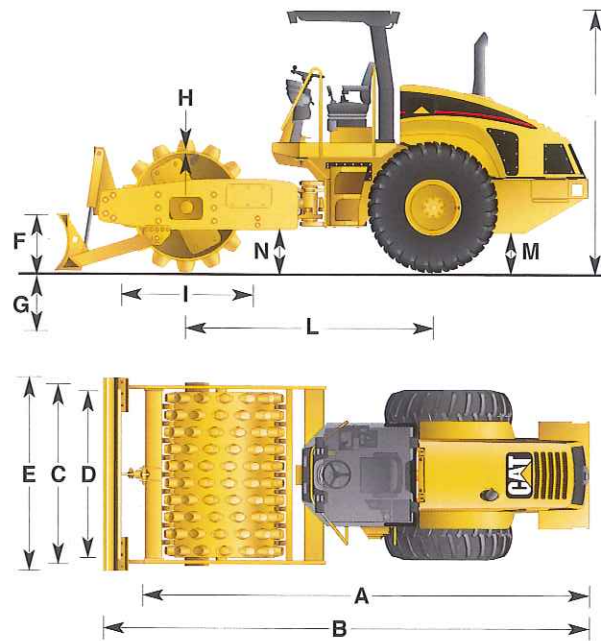
1. High Resolution reverse camera
2. Green Light Seat Belt Warning
3. Work at Height Fall protection rails
4. Weigh Loader Option
5. Unique Operator Keys
6. Anti Theft Satellite Tracking
7. On Board Diagnostic Data logging
8. Wireless Product Link Machine communication.
9. Proximity Reverse Radar

CAT CS-563E Vibratory Soil Compactor

Operating Weight
12,130 kg 26,742 lb

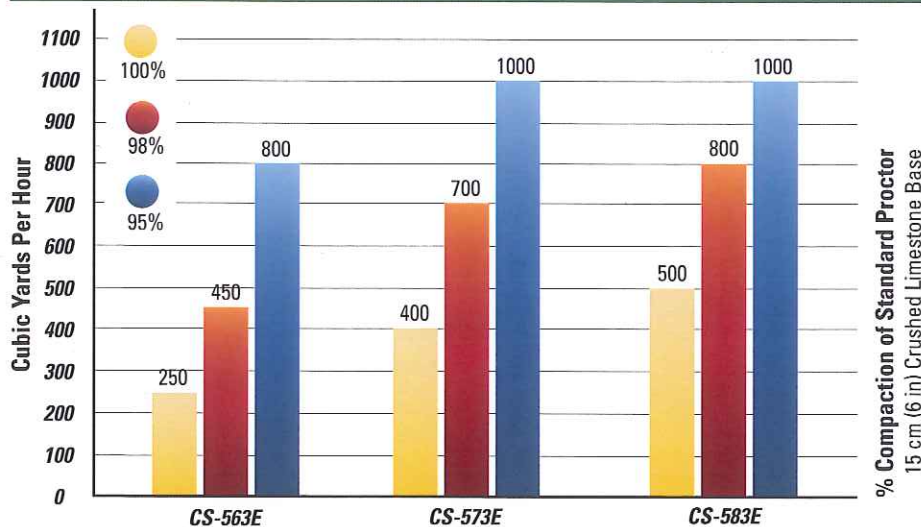


1. Dimensions All dimensions are approximate.



A	Overall length	5.76 m
B	Length with blade	6.3 m
C	Overall width	2.29 m
D	Drum width	2.13 m
E	Width with blade	2.5 m
F	Blade height	680 mm
G	Blade cutting depth	127 mm
H	Drum shell thickness	30 mm
I	Drum diameter	1524 mm
J	Height at ROPS/FOPS canopy	3.06 m
K	Height at ROPS/FOPS cab	3.07 m
L	Wheelbase	2.90 m
M	Ground clearance	448 mm
N	Curb clearance	497 mm
	Inside turning radius	3.68 m
	Outside turning radius	5.81 m

2. Productivity Comparisons



Note: Results are similar for padfoot drums. Results may vary for different applications.

3. Machine Selection

Key: ○ = Good ● = Better ● = Best

Application	Layer Thickness	Smooth Drum CS-563E	Padfoot Drum CP-563E
Sand, Clayey or Silty Sand, Mine Tailing	15 - 30 cm (6 - 12 in)	●	○
	30 - 45 cm (12 - 18 in)	●	○
	45 - 60 cm (18 - 24 in)	○	○
Clay, Sandy or Silty Clay, Stabilized Clay	15 - 30 cm (6 - 12 in)	●	●
	30 - 45 cm (12 - 18 in)	○	●
	45 - 60 cm (18 - 24 in)	○	○
Silt, Sandy or Clayey Silt, Coal, Ash, Solid Waste	15 - 30 cm (6 - 12 in)	●	●
	30 - 45 cm (12 - 18 in)	●	●
	45 - 60 cm (18 - 24 in)	○	●
Base Aggregate, Gravel, Crushed Rock, Stabilized Base	15 - 30 cm (6 - 12 in)	●	○
	30 - 45 cm (12 - 18 in)	○	○
	45 - 60 cm (18 - 24 in)	—	○
Gradeability		●	●

4. Vibratory System

Drum width	2134 mm
Drum shell thickness	
CS-563E	30 mm
CP-563E	25 mm
Drum diameter	
CS-563E	1524 mm
CP-563E	1295 mm
Drum diameter (over pads) CP-563E	1549 mm
Pads (CP-563E only)	
Number of pads	140
Pad height	127 mm
Pad face area	89.4 cm ²
Number of chevrons	14
Eccentric weight drive	Hydrostatic
Weight at Drum (with ROPS/FOPS canopy)	
CS-563E	5840 kg
CP-563E	6075 kg

Static Linear Load*

CS-563E	27.4 kg/cm
---------	------------

*Meets NFP 98736 class: VM2

Frequency

Standard	31.9 Hz
Optional	23.3 - 31.9 Hz

Nominal Amplitude

High	1.7 mm
Low	0.85 mm

Centrifugal Force

@ 31.9 Hz (1914 vpm)	
Maximum	266 kN
Minimum	133 kN

5. Service Refill Capacities

Fuel Tank	300 L
Full Fuel Capacity	330 L
Cooling System	26 L
Engine oil with filter	12 L
Eccentric weight housings	26 L
Axle and final drives	18 L
Hydraulic Tank	64 L
Filtration System (pressure type)	64 L
Propel	15 micron absolute
Hydraulic Tank	15 micron absolute

6. Estimated Production

- Based on depth of fill below final grade (surface)
- Based on final compacted thickness of layer
- Density spec. is based on Standard Proctor Test

Depth	Density Spec.	15 cm (6 in) Layer	30 cm (12 in) Layer
Surface 0 - 0.5 m (0 - 2 ft)	> 98%	190 m ³ /hr (250 yd ³ /hr)	380 m ³ /hr (500 yd ³ /hr)
Shallow 0.5 - 3 m (2 - 10 ft)	53 - 98%	345 m ³ /hr (450 yd ³ /hr)	610 m ³ /hr (800 yd ³ /hr)
Deep > 3 m (> 10 ft)	90 - 95%	610 m ³ /hr (800 yd ³ /hr)	1150 m ³ /hr (1500 yd ³ /hr)

1. Dimensions
2. Productivity Comparisons
3. Machine Selection
4. Vibratory System
5. Service Refill Capacities
6. Estimated Production

To discuss your production or rental requirements
in more detail call our rental team on 0161 761 5109

All data gathered from the manufacturer & accurate at time of publication. This data sheet is provided as a guide only. Please check against manufacturer data on all critical requirements.