



CAT 336F Hydraulic Excavator

Key Features

All the equipment is installed with the following additional equipment to enhance safe and secure use.

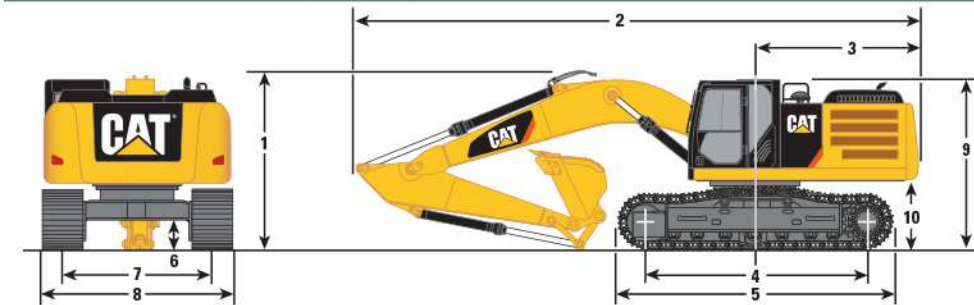
1. High Resolution reverse camera
2. Green Light Seat Belt Warning
3. Work at Height Fall protection rails
4. Rated Load Capacity Indicator -Prolec PME200
5. Working Envelope Monitoring
6. Anti Vandal Guards
7. Unique Operator Keys
8. Anti Theft Satellite Tracking
9. On Board Diagnostic Data logging
10. Wireless Product Link Machine communication.

CAT 336F Hydraulic Excavator

Weights
 Minimum 37,600kg
 Maximum 40,000kg



1. Dimensions All dimensions are approximate.



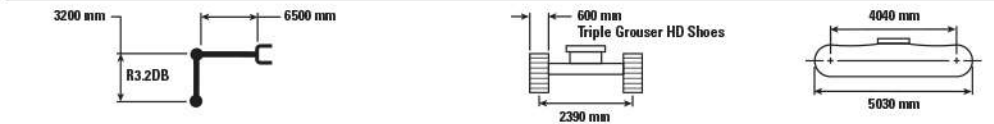
Boom Options	HD Reach Boom 6.5 m
Stick Options	R3.2DB
1 Shipping Height*	3510 mm
2 Shipping Length	11 160 mm
3 Tail Swing Radius	3470 mm
4 Length to Center of Rollers	4040 mm
5 Track Length	5030 mm
6 Ground Clearance*	510 mm
Ground Clearance**	480 mm
7 Track Gauge	
Long Undercarriage	2590 mm
8 Transport Width	
Long Undercarriage	
700 mm Shoes	3290 mm
9 Cab Height	3150 mm
Cab Height with Top Guard	3360 mm
10 Counterweight Clearance**	1220 mm
Bucket Type	GP
Bucket Capacity	2.28 m ³
Bucket Tip Radius	1753 mm

Dimensions may vary depending on bucket selection.

Attachments

Hydraulic Breaker	
Multi Processor	
Hydraulic Magnet	
Screening Bucket	
V Ditch Bucket	
Riddle Bucket	
Turf Stripper	
Trench Compactor	
Piling Hammer	
Grapples	

2. Reach Boom Lift Capacities



Bucket Tip Radius	3000 mm		4500 mm		6000 mm		7500 mm		9000 mm		mm			
	GP	GP	GP	GP	GP	GP	GP	GP	GP					
7500 mm	kg						*8700	7700			*7400	7350	7700	
6000 mm	kg						*8800	7600			*7200	6050	8580	
4500 mm	kg						*9450	7350	*8500	5500	*7250	5400	9130	
3000 mm	kg						*10 300	7050	9000	5400	*7550	5000	9410	
1500 mm	kg						*11 150	6750	8800	5250	*8050	4900	9440	
0 mm	kg						8800	11 300	6550	8700	5100	8400	4950	9220
-1500 mm	kg	*14 100	*14 100	*19 850	13 000	*14 850	8650	11 150	6450		9000	5300	8750	
-3000 mm	kg	*22 200	*22 200	*18 400	13 100	*14 050	8700	*10 900	6500		*9950	6050	7960	
-4500 mm	kg	*20 650	*20 650	*15 600	13 450	*11 850	8950				*10 000	7700	6750	

3. Sound Performance

Exterior Sound Power Level – 106 dB(A)*
 ISO 6395:2008

Operator Sound Pressure Level – 73 dB(A)
 ISO 6396:2008

4. Service Refill Capacities

Fuel Tank Capacity	620 L
Cooling System	43 L
Engine Oil (with filter)	32 L
Swing Drive (each)	19 L
Final Drive (each)	8 L
Hydraulic System Oil Capacity (including tank)	380 L
Hydraulic Tank Oil	175 L
DEF Tank	41 L

5. Ground Pressures (7mt Counterweight)

Boom	Stick	kg	kPa
Long Undercarriage			
HD R6.5 m	HD R3.9DB	37 800	60.4
HD R6.5 m	HD R3.2DB	37 600	60.0

6. Bucket & Stick Forces

Boom Options	HD Reach Boom 6.5 m
--------------	------------------------

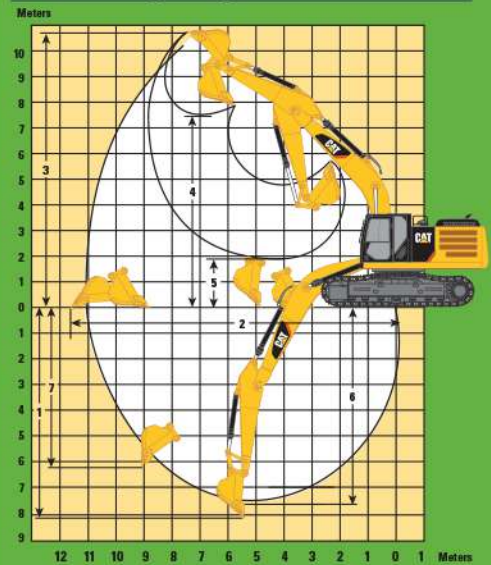
Stick Options

Heavy Duty – Power

Bucket Digging Force (ISO) 234.2 kN

Stick Digging Force (ISO) 69.0 kN

7. Working Ranges



Boom Options	HD Reach Boom 6.5 m
--------------	------------------------

Stick Options	R3.2DB
---------------	--------

1 Maximum Digging Depth	7490 mm
2 Maximum Reach at Ground Level	11 020 mm
3 Maximum Cutting Height	10 320 mm
4 Maximum Loading Height	7110 mm
5 Minimum Loading Height	2610 mm
6 Maximum Depth Cut (2440 mm Level Bottom)	6820 mm
7 Maximum Vertical Wall Digging Depth	5500 mm

Bucket Type	GP
Bucket Capacity	2.28 m ³
Bucket Tip Radius	1753 mm

1. Dimensions
2. Reach Boom Lift Capacities
3. Sound Performance
4. Service Refill Capacities
5. Ground Pressures
6. Bucket & Stick Forces
7. Working Ranges

To discuss your production or rental requirements in more detail call our rental team on 0161 761 5109

All data gathered from the manufacturer & accurate at time of publication. This data sheet is provided as a guide only. Please check against manufacturer data on all critical requirements.